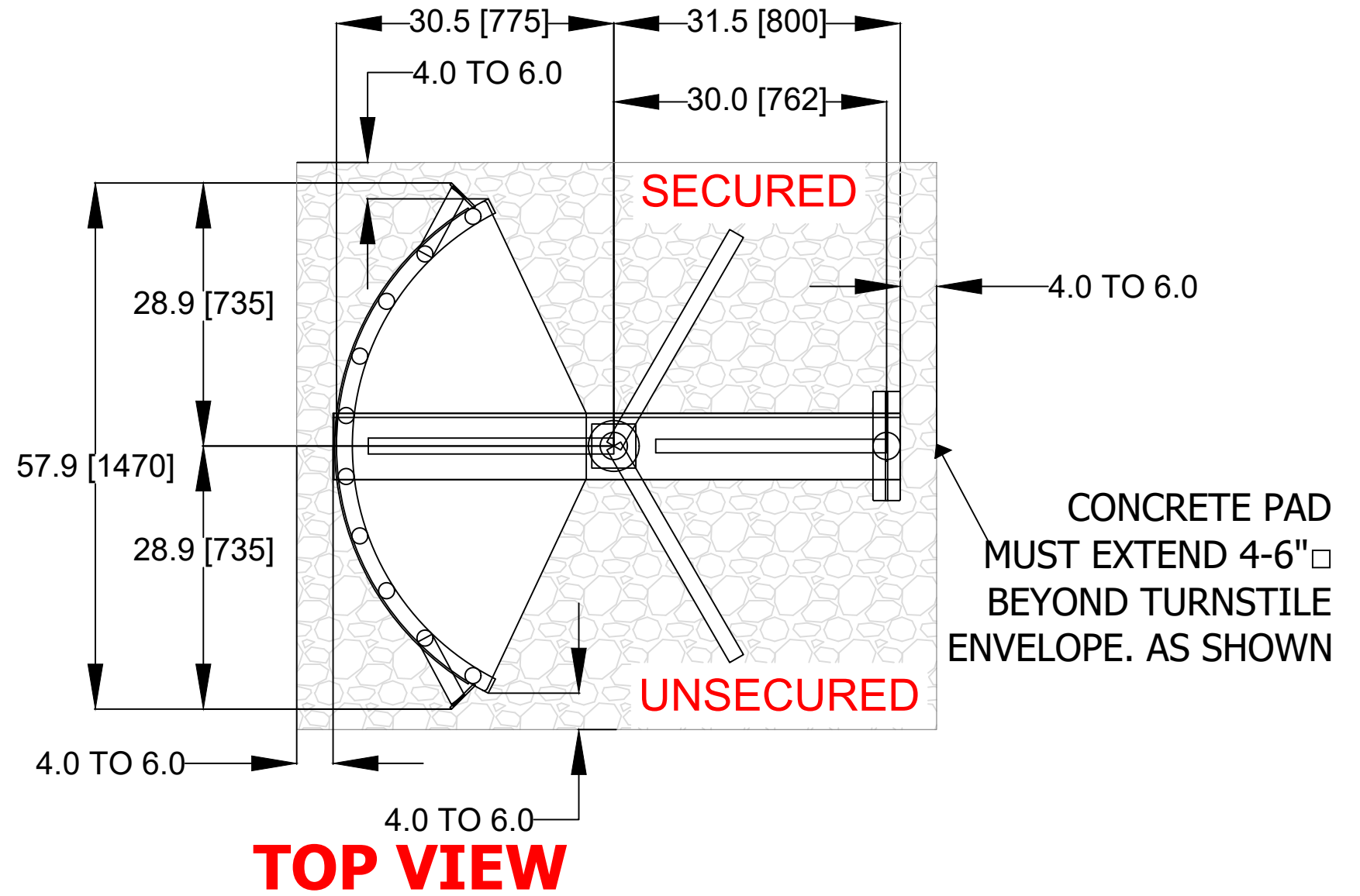
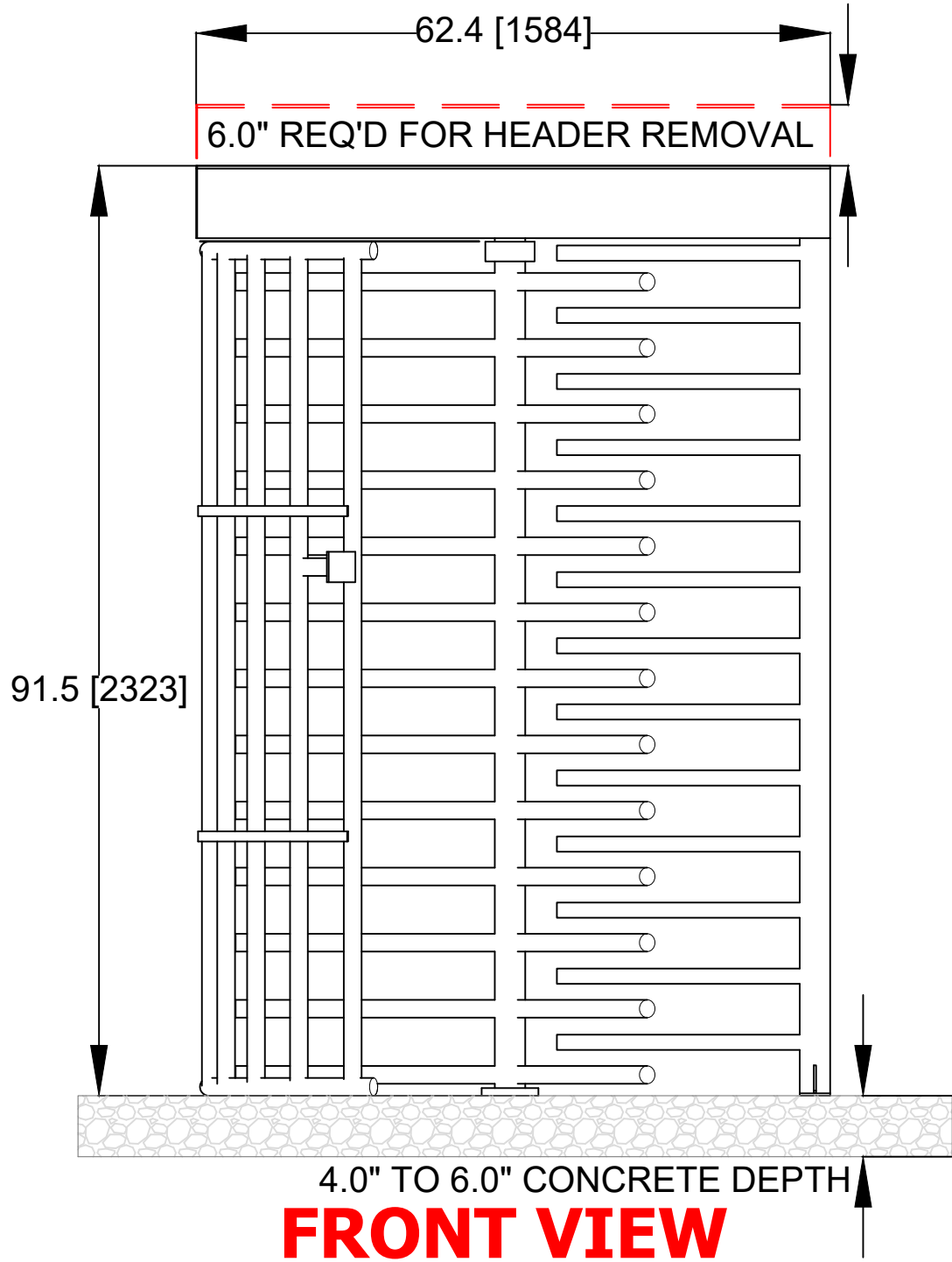


AVANT•GARDE TURNSTILE  
DRAWING PACKAGE

MST LEFT HAND[REVERSE] FULL HEIGHT

avant•garde

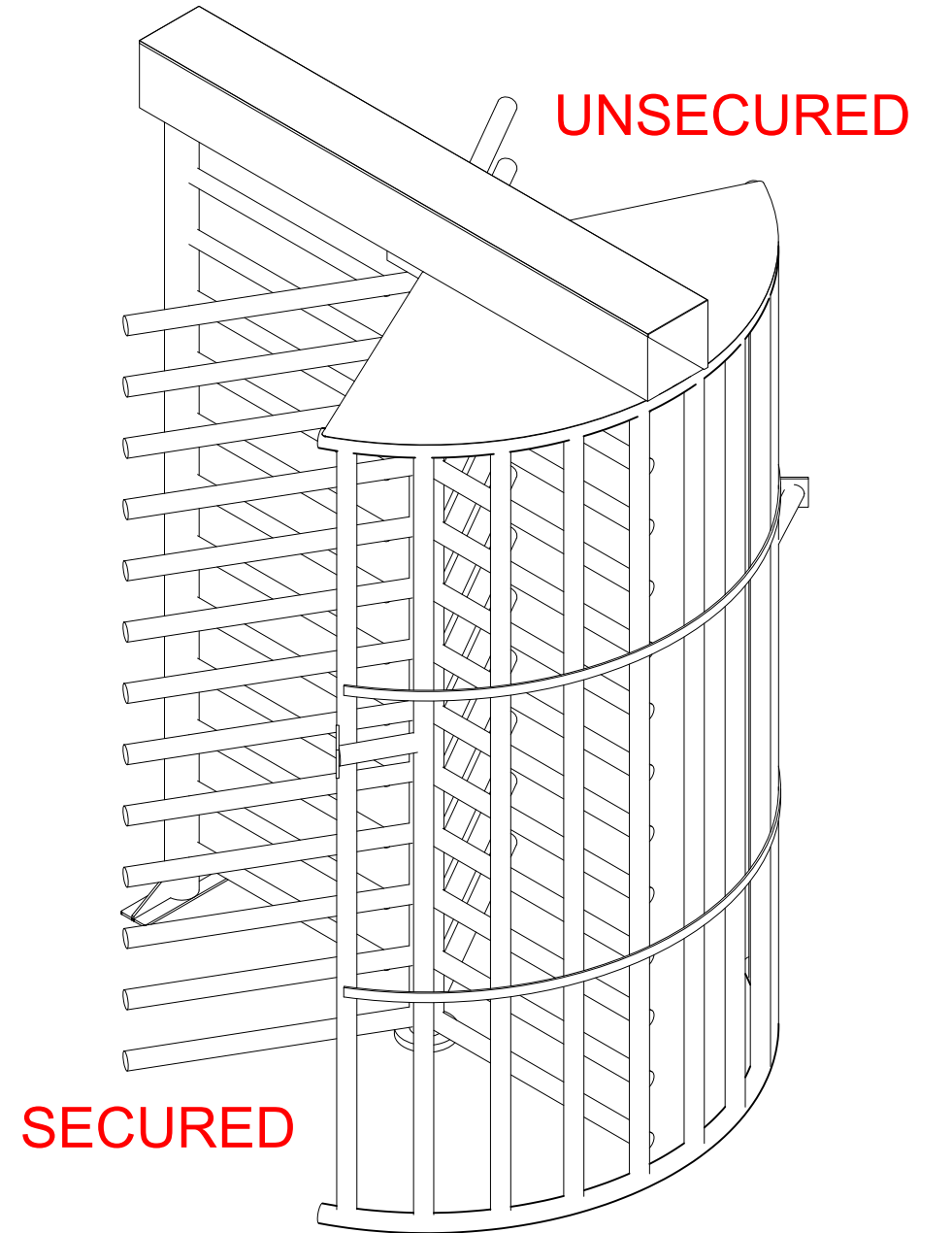
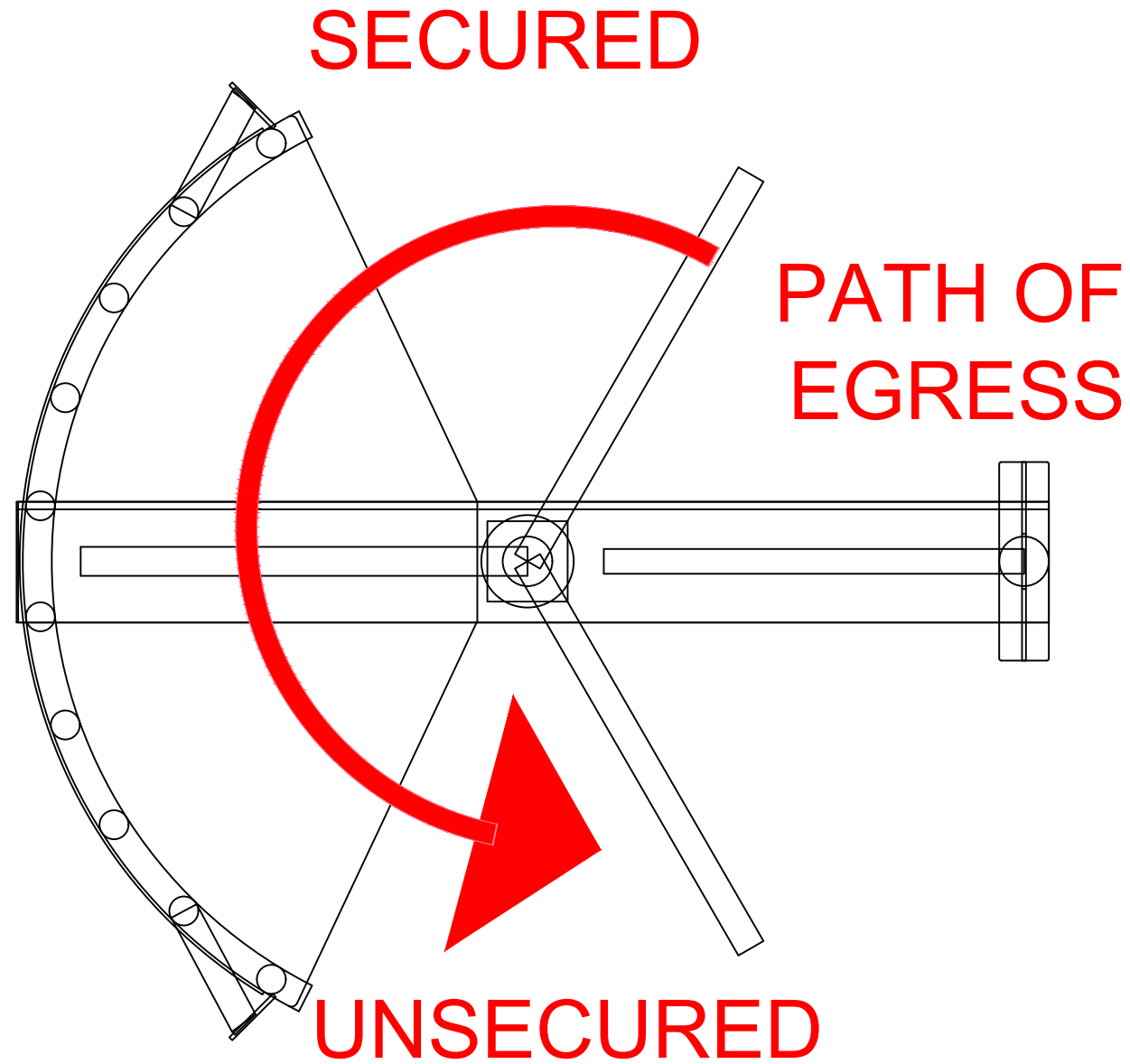
# AVANT GARDE - VIEWS



CONTACT  
SHOULD YOU HAVE ANY QUESTIONS  
PLEASE CALL AVANT GARDE TECHNICAL SUPPORT  
(888-552-9046) AG.INC

CONFIDENTIAL: THIS DRAWING IS NOT TO BE USED OR COPIED WITHOUT WRITTEN APPROVAL FROM AVANT GARDE	REV	DESCRIPTION	DATE	APPROVED
	A		X/X/2024	
	B		X/X/2024	
	C		X/X/2024	
ANSI TOLERANCE: FRACTIONAL ± 1/16 ANGLE ±0.5 DEG DECIMALS: .XX ±.030 XXX ±.015 XXXX ±.0005 CHAMFER ±1	DRAWN	2/6/24	avant•garde	
	ACRUISE			
	CHECKED			
	JKELLY			
ISO TOLERANCE DECIMALS: ANGLE ±0.5 RAD X.X ± 0.5MM X.XX ± .25MM X.XXX ±0.01MM X.XXXX ±.05MM CHAMFER ±0.5 RAD	QA		TITLE ALAVARADO MST VIEWS	
	MFG		SIZE B	DWG NO
	APPROVED		SCALE	REV A
				SHEET 1 OF 1

# AVANT GARDE - EGRESS PATH



**PM TO CONFIRM FIRE EGRESS  
DIRECTION WITH CUSTOMER  
PRIOR TO INSTALL \*\*\***

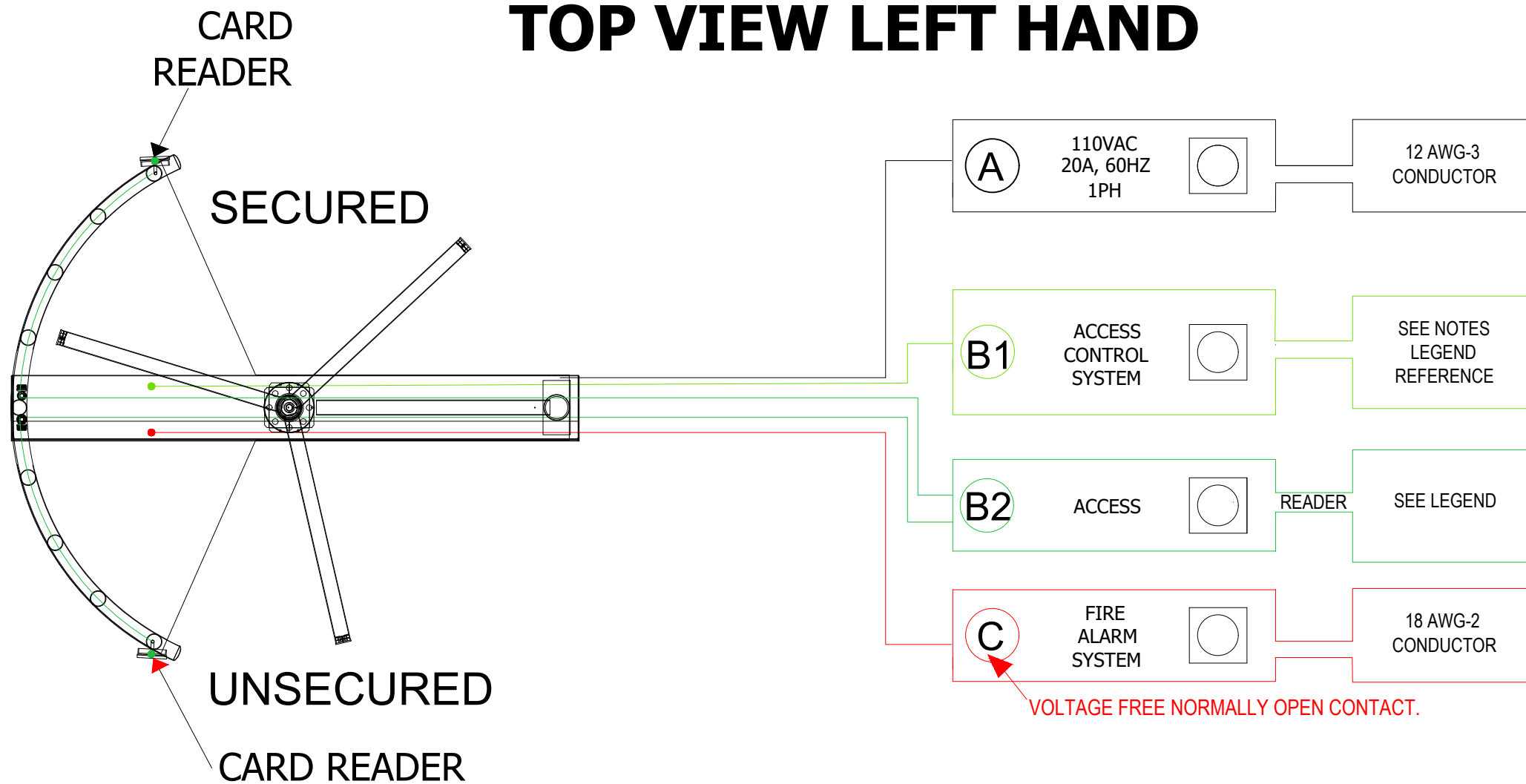


**CONTACT**  
SHOULD YOU HAVE ANY QUESTIONS  
PLEASE CALL AVANT GARDE TECHNICAL SUPPORT  
(888-552-9046) AG.INC

CONFIDENTIAL: THIS DRAWING IS NOT TO BE USED OR COPIED WITHOUT WRITTEN APPROVAL FROM AVANT GARDE	REV	DESCRIPTION	DATE	APPROVED
	A		X/X/2024	
	B		X/X/2024	
	C		X/X/2024	
ANSI TOLERANCE: FRACTIONAL $\pm 1/16$ ANGLE $\pm 0.5$ DEG DECIMALS: .XX $\pm .030$ XXX $\pm .015$ XXXX $\pm .0005$ CHAMFER $\pm 1$				
ISO TOLERANCE DECIMALS: ANGLE $\pm 0.5$ RAD X.X $\pm 0.5$ MM X.XX $\pm .25$ MM X.XXX $\pm 0.01$ MM X.XXXX $\pm .05$ MM CHAMFER $\pm 0.5$ RAD				
DRAWN ACRUISE	2/6/24	avant•garde		
CHECKED JKELLY		TITLE ALAVARADO MST EGRESS PATH		
QA		SIZE B	DWG NO	REV A
MFG		SCALE		
APPROVED				
				SHEET 1 OF 1

# AVANT GARDE - MST WIRE SCHEMATIC

## TOP VIEW LEFT HAND



LEGEND	
DESCRIPTION	WIRE GAUGE / DETAIL
A= MAIN POWER 110VAC <b>20AMP</b> 60HZ 1PH NOTE: 110V 300W PER LANE IN OPERATION (MAIN AND SECONDARY PEDESTAL). NO MORE THAN 2 LANES ON AN ISOLATED 20A CIRCUIT.	12 AWG-3 CONDUCTOR <b>(NOT SUPPLIED BY AVANT GARDE)</b>
B= ACCESS CONTROL SYSTEM B1= TRIGGER = N/O CONTACT VOLTAGE FREE CLOSE 1.0 SECONDS B2= CARD READER = CONDUCTOR TYPE/QTY SPECIFIED BY INTEGRATOR	18 AWG-4 CONDUCTOR <b>(NOT SUPPLIED BY AVANT GARDE)</b> ADDITIONAL NOTE: TYPICALLY REQUIRED FOR CARDREADERS 18 AWG-6 CONDUCTOR <b>(NOT SUPPLIED BY AVANT GARDE)</b>
C= FIRE ALARM SYSTEM, VOLTAGE FREE NORMALLY OPEN CONTACT. (N/O DRY)	18 AWG-2 CONDUCTOR <b>(NOT SUPPLIED BY AVANT GARDE)</b>

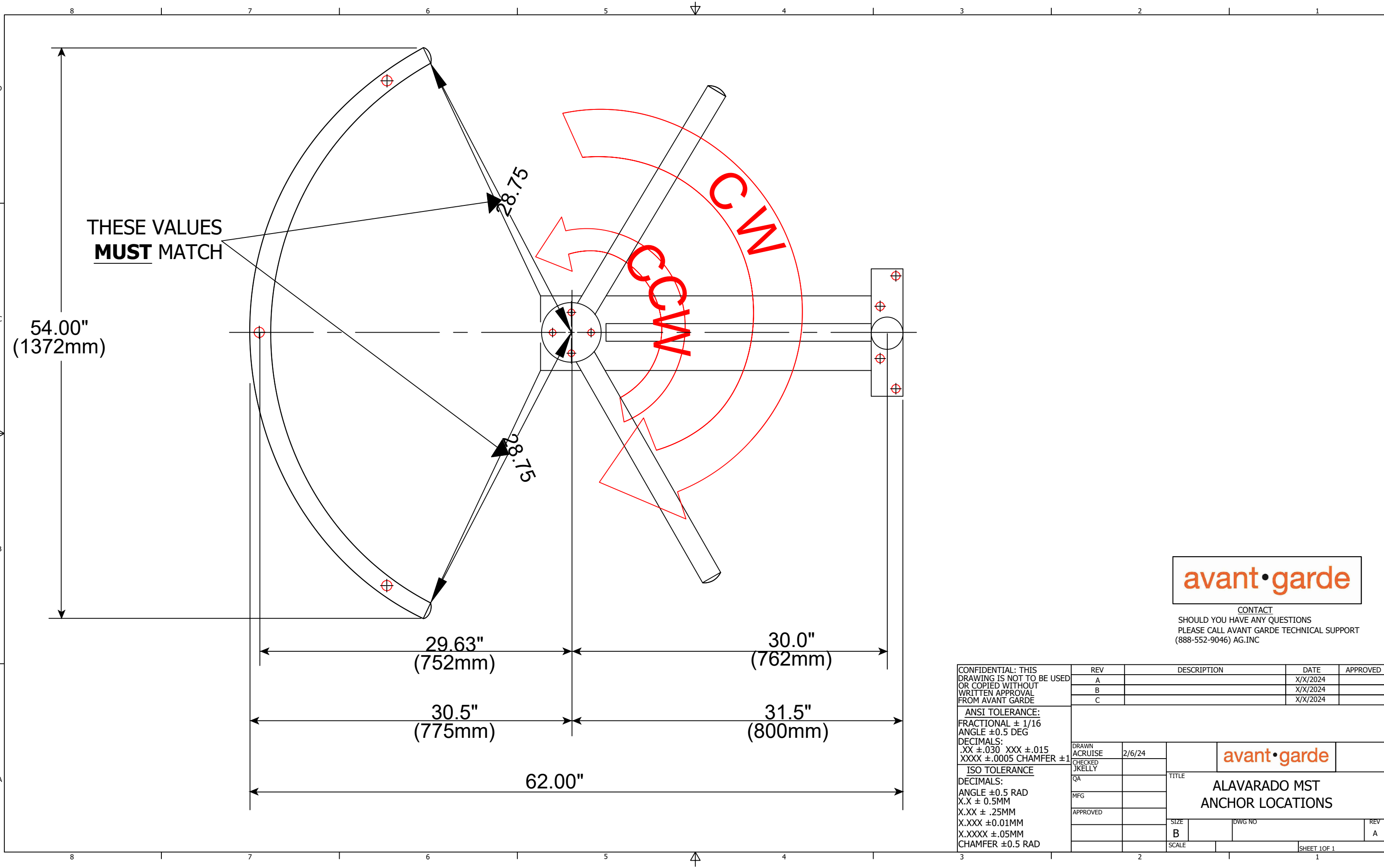
THIS DRAWING IS INTENDED FOR ILLUSTRATION PURPOSES ONLY AND MUST NOT BE USED FOR MANUFACTURING PURPOSES. THIS DOCUMENT IS THE COPYRIGHT OF AVANT GARDE INC. AND MAY NOT BE REPRODUCED IN PART OR IN WHOLE FOR ANY PURPOSE OTHER THAN THAT FOR WHICH IT IS SUPPLIED, WITHOUT THE WRITTEN PERMISSION OF AVANT GARDE INC.

- FIELD NOTES:**
- 120VAC POWER, DATA AND LOW VOLTAGE CONTROL CABLES MUST BE RUN IN SEPARATE CONDUITS. NO "DAISY CHAINING" PERMITTED.
  - IT IS RECOMMENDED THAT THE MAIN POWER TO THE UNITS PASSES THROUGH A RESIDUAL CURRENT CIRCUIT DEVICE FOR MAXIMUM SAFETY.
  - ALL WIRES CONNECTED BETWEEN THE TURNSTILE I/O BOARDS AND EXTERNAL CONTROL SYSTEMS ARE TO BE VOLTAGE FREE, UNDER NO CIRCUMSTANCES SHOULD EXTERNAL POWER BE APPLIED TO ANY TURNSTILE INPUTS OR OUTPUTS.



CONTACT  
SHOULD YOU HAVE ANY QUESTIONS  
PLEASE CALL AVANT GARDE TECHNICAL SUPPORT  
(888-552-9046) AG.INC

CONFIDENTIAL: THIS DRAWING IS NOT TO BE USED OR COPIED WITHOUT WRITTEN APPROVAL FROM AVANT GARDE	REV	DESCRIPTION	DATE	APPROVED
	A		X/X/2024	
	B		X/X/2024	
	C		X/X/2024	
ANSI TOLERANCE: FRACTIONAL ± 1/16 ANGLE ±0.5 DEG DECIMALS: .XX ±.030 XXX ±.015 XXXX ±.0005 CHAMFER ±1		DRAWN ACRUISE	2/6/24	
ISO TOLERANCE: DECIMALS: ANGLE ±0.5 RAD X.X ± 0.5MM X.XX ± .25MM X.XXX ±0.01MM X.XXXX ±.05MM CHAMFER ±0.5 RAD		CHECKED JKELLY		
		QA		
		MFG		
		APPROVED		TITLE <b>MST WIRE SCHEMATIC</b>
		SIZE B	DWG NO	REV A
		SCALE		SHEET 1 OF 1



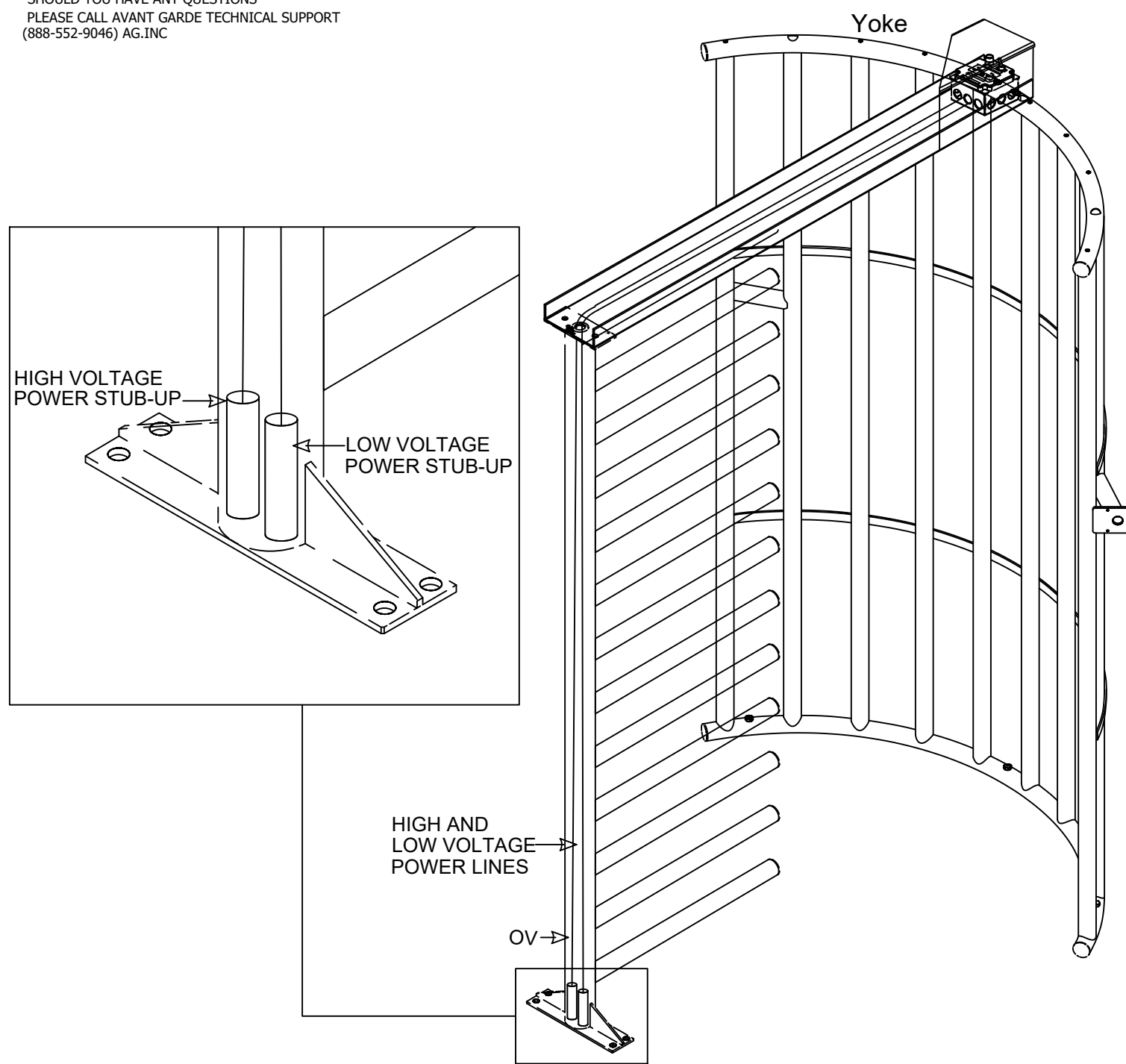
CONTACT  
 SHOULD YOU HAVE ANY QUESTIONS  
 PLEASE CALL AVANT GARDE TECHNICAL SUPPORT  
 (888-552-9046) AG.INC

CONFIDENTIAL: THIS DRAWING IS NOT TO BE USED OR COPIED WITHOUT WRITTEN APPROVAL FROM AVANT GARDE	REV	DESCRIPTION	DATE	APPROVED
	A		X/X/2024	
	B		X/X/2024	
	C		X/X/2024	
ANSI TOLERANCE: FRACTIONAL ± 1/16 ANGLE ±0.5 DEG DECIMALS: .XX ±.030 XXX ±.015 XXXX ±.0005 CHAMFER ±1	DRAWN			
	ACRUISE	2/6/24		
	CHECKED			
	JKELLY			
ISO TOLERANCE DECIMALS: ANGLE ±0.5 RAD X.X ± 0.5MM X.XX ± .25MM X.XXX ±0.01MM X.XXXX ±.05MM CHAMFER ±0.5 RAD	QA			TITLE <b>ALAVARADO MST ANCHOR LOCATIONS</b>
	MFG			
	APPROVED			
	SIZE	DWG NO	REV	
	B		A	
	SCALE		SHEET 1 OF 1	

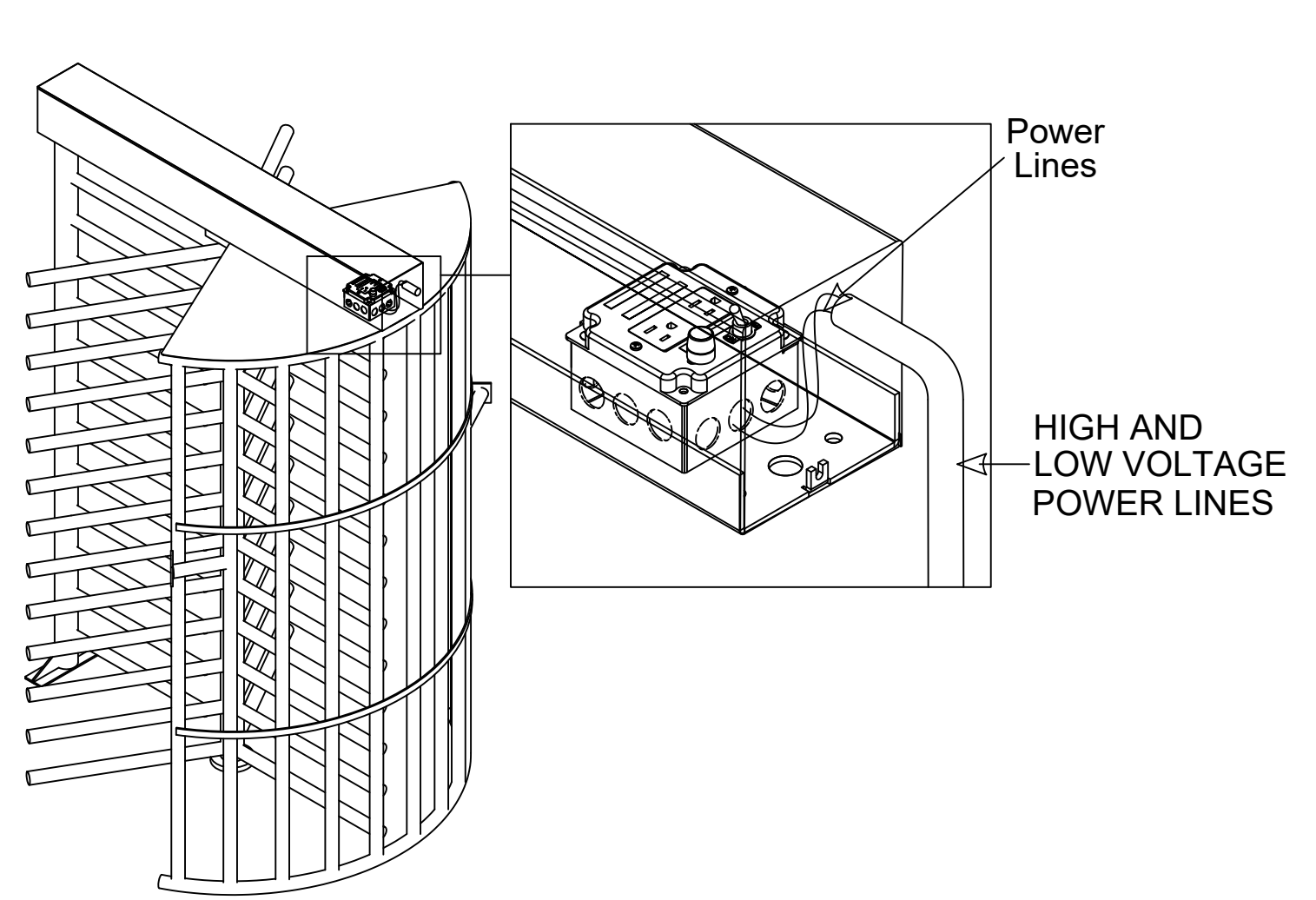


CONTACT  
 SHOULD YOU HAVE ANY QUESTIONS  
 PLEASE CALL AVANT GARDE TECHNICAL SUPPORT  
 (888-552-9046) AG.INC

# CONDUIT ENTRY OPTIONS



**OPTION A**



**OPTION B**

CONFIDENTIAL: THIS DRAWING IS NOT TO BE USED OR COPIED WITHOUT WRITTEN APPROVAL FROM AVANT GARDE	REV	DESCRIPTION	DATE	APPROVED
	A		X/X/2024	
	B		X/X/2024	
	C		X/X/2024	
ANSI TOLERANCE: FRACTIONAL ± 1/16 ANGLE ±0.5 DEG DECIMALS: .XX ±.030 XXX ±.015 XXXX ±.0005 CHAMFER ±1	DRAWN	2/6/24		
	ACRUISE			
	CHECKED			
	JKELLY			
ISO TOLERANCE DECIMALS: ANGLE ±0.5 RAD X.X ± 0.5MM X.XX ± .25MM X.XXX ±0.01MM X.XXXX ±.05MM CHAMFER ±0.5 RAD	QA		<b>ALAVARADO MST          CONDUIT ENTRY</b>	
MFG				
APPROVED				
	SIZE	DWG NO	REV	
	B		A	
	SCALE		SHEET 1 OF 1	

12-3 AWG  
FROM TURNSTILE TO  
BREAKER PANEL

AC VOLTAGE

THIS CONFIG: ALL INCOMING WIRES WILL BE PULLED THRU  
HEADER, READ IN AND OUT TO BE CONFIRMED BY PM

18-4 STRANDED  
TRIGGER/LOCK  
FROM TURNSTILE TO  
LOCAL IDF CLOSET

TRIGGER

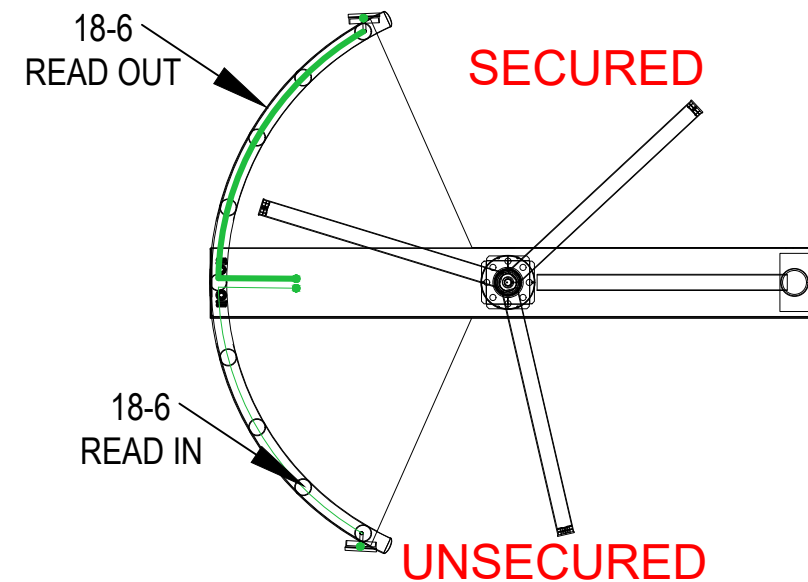
18 AWG-2  
FIRE WIRE FROM  
TURNSTILE TO LOCAL  
FIRE RELAY

FIRE

18-6  
STRANDED/SHIELDED  
CONDUCTOR

READER

PM TO CONFIRM NEED FOR SECOND  
CARD READER FOR READ OUT  
BRING WIRE ALONG SECOND PATH AS SHOWN



**avant•garde**

CONTACT  
SHOULD YOU HAVE ANY QUESTIONS  
PLEASE CALL AVANT GARDE TECHNICAL SUPPORT  
(888-552-9046) AG.INC

CONFIDENTIAL: THIS DRAWING IS NOT TO BE USED OR COPIED WITHOUT WRITTEN APPROVAL FROM AVANT GARDE	REV	DESCRIPTION	DATE	APPROVED
	A		X/X/2024	
	B		X/X/2024	
	C		X/X/2024	
ANSI TOLERANCE: FRACTIONAL ± 1/16 ANGLE ±0.5 DEG DECIMALS: .XX ±.030 XXX ±.015 XXXX ±.0005 CHAMFER ±1				
DRAWN ACRUISE		2/6/24	<b>avant•garde</b>	
CHECKED JKELLY				
ISO TOLERANCE DECIMALS: ANGLE ±0.5 RAD X.X ± 0.5MM X.XX ± .25MM X.XXX ±0.01MM X.XXXX ±.05MM CHAMFER ±0.5 RAD			TITLE <b>ALAVARADO MST PULL SCHEDULE CONFIG</b>	
MFG			SIZE B	DWG NO
APPROVED			SCALE	REV A
			SHEET 1 OF 1	

THIS CONFIG: ALL INCOMING WIRES WILL BE PULLED THRU OV, READ IN AND OUT TO BE CONFIRMED BY PM

12-3 AWG  
FROM TURNSTILE TO  
BREAKER PANEL

AC VOLTAGE

18-4 STRANDED  
TRIGGER/LOCK  
FROM TURNSTILE TO  
LOCAL IDF CLOSET

TRIGGER

18 AWG-2  
FIRE WIRE FROM  
TURNSTILE TO LOCAL  
FIRE RELAY

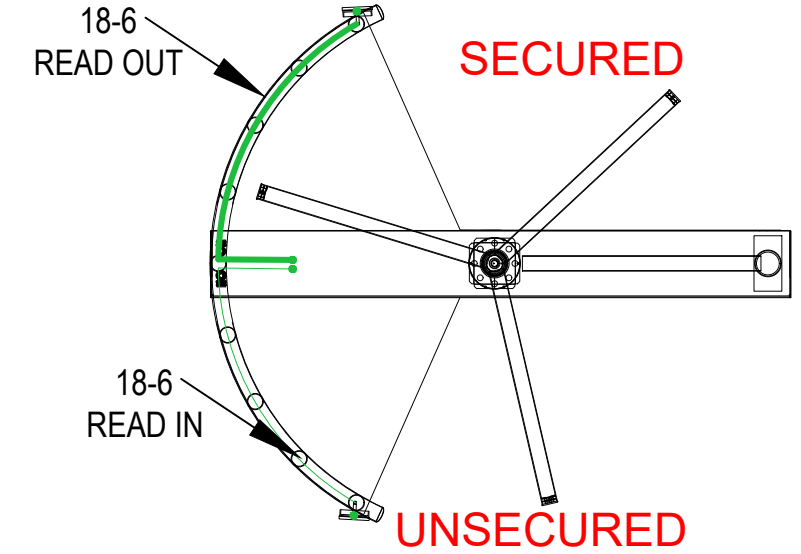
FIRE

18-6  
STRANDED/SHIELDED  
CONDUCTOR

READER

Ø1.4  
OV HOLE  
DIAMETER

PM TO CONFIRM NEED FOR SECOND  
CARD READER FOR READ OUT  
BRING WIRE ALONG SECOND PATH AS SHOWN



CONTACT  
SHOULD YOU HAVE ANY QUESTIONS  
PLEASE CALL AVANT GARDE TECHNICAL SUPPORT  
(888-552-9046) AG.INC

CONDUIT SHOULD BE VISIBLE AT  
SITE STUBBED OUT FROM FLOOR

CONFIDENTIAL: THIS DRAWING IS NOT TO BE USED OR COPIED WITHOUT WRITTEN APPROVAL FROM AVANT GARDE	REV	DESCRIPTION	DATE	APPROVED
	A		X/X/2024	
	B		X/X/2024	
	C		X/X/2024	
ANSI TOLERANCE: FRACTIONAL ± 1/16 ANGLE ±0.5 DEG DECIMALS: .XX ±.030 XXX ±.015 XXXX ±.0005 CHAMFER ±1	DRAWN	2/6/24	avant-garde	
	ACRUISE			
ISO TOLERANCE DECIMALS: ANGLE ±0.5 RAD X.X ± 0.5MM X.XX ± .25MM X.XXX ±0.01MM X.XXXX ±.05MM CHAMFER ±0.5 RAD	CHECKED		ALAVARADO MST PULL SCHEDULE CONFIG	
	JKELLY			
	QA		SIZE	DWG NO
	MFG		B	
	APPROVED		SCALE	REV A
				SHEET 1 OF 1