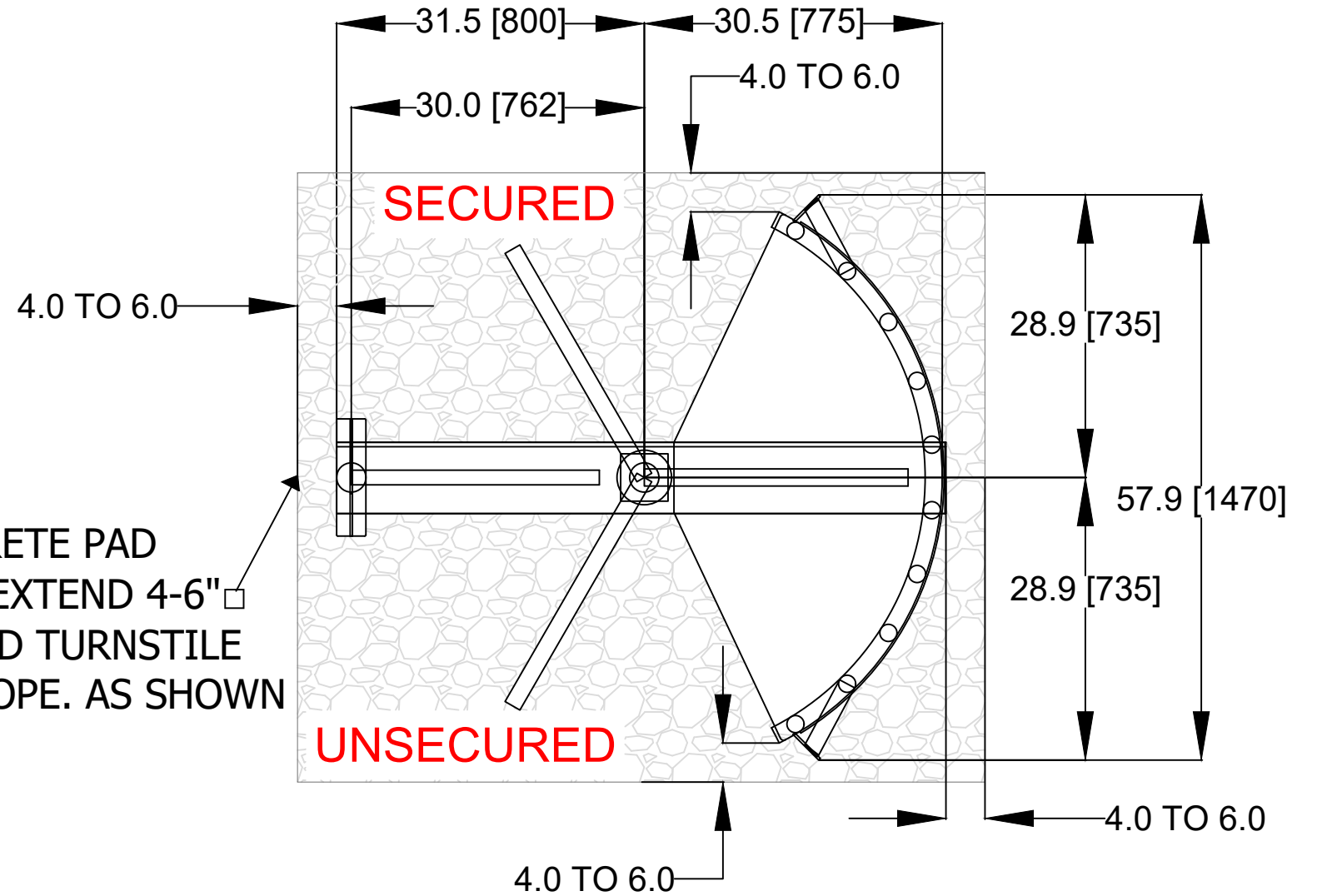
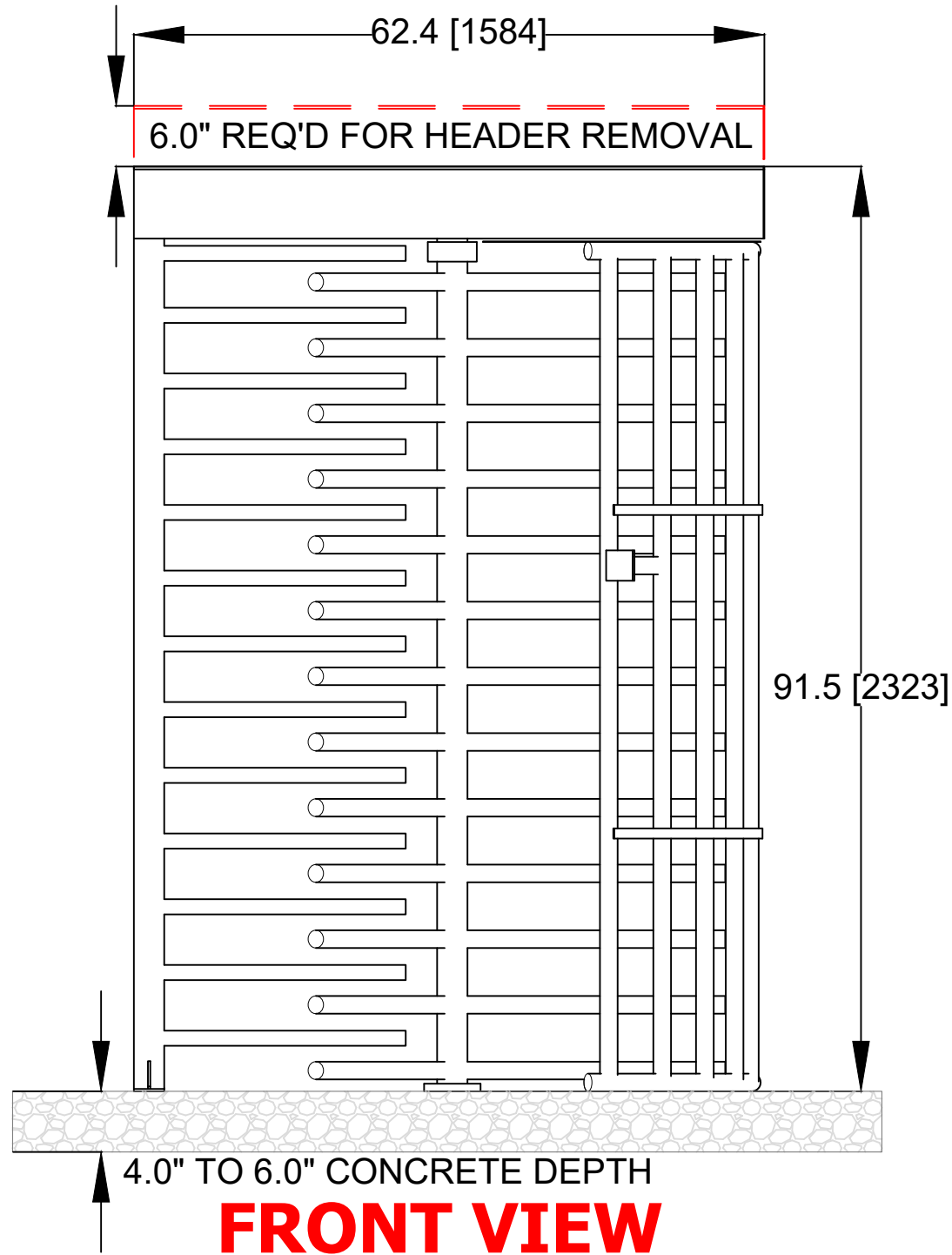


AVANT•GARDE TURNSTILE
DRAWING PACKAGE

MST RIGHT HAND[DEFAULT] FULL HEIGHT

avant•garde

AVANT GARDE - VIEWS



TOP VIEW

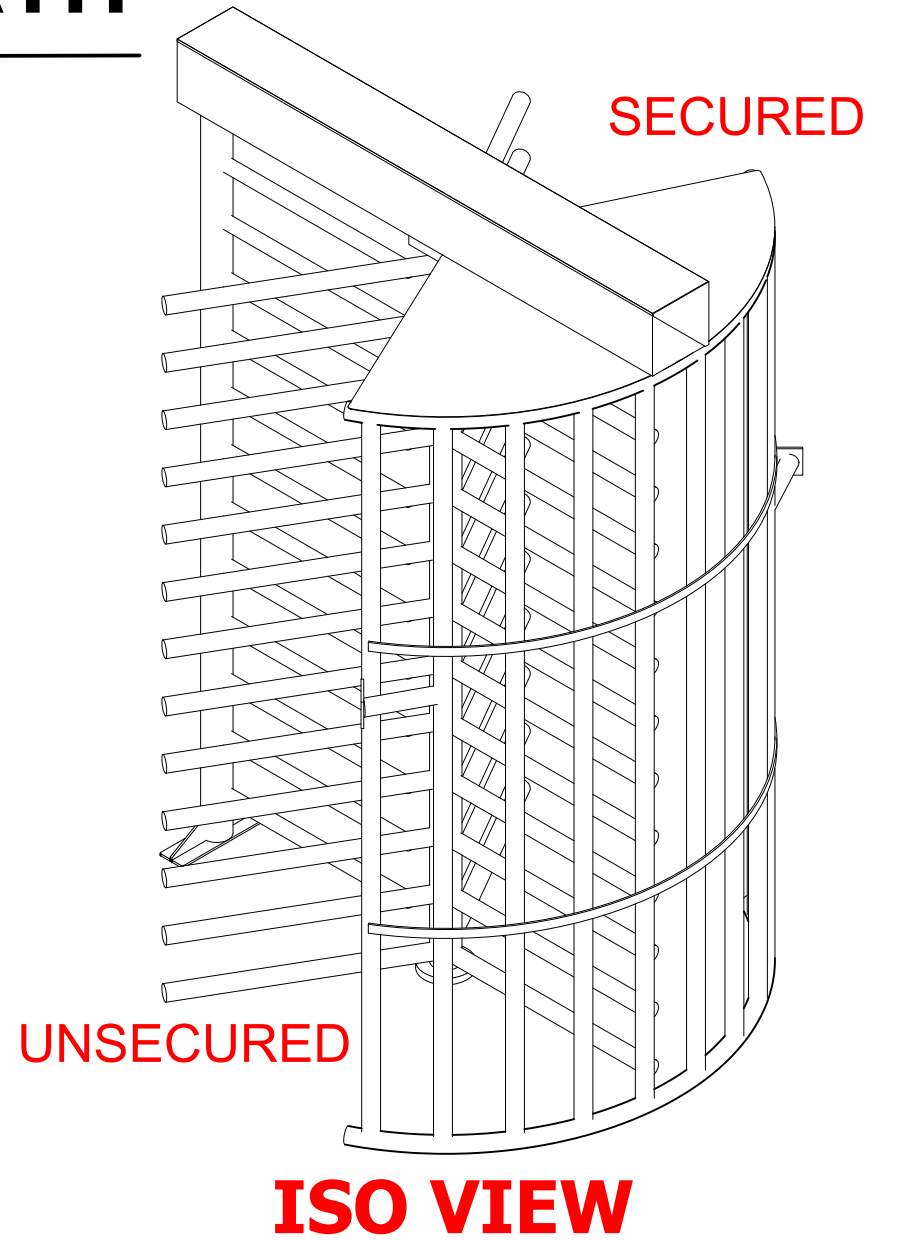
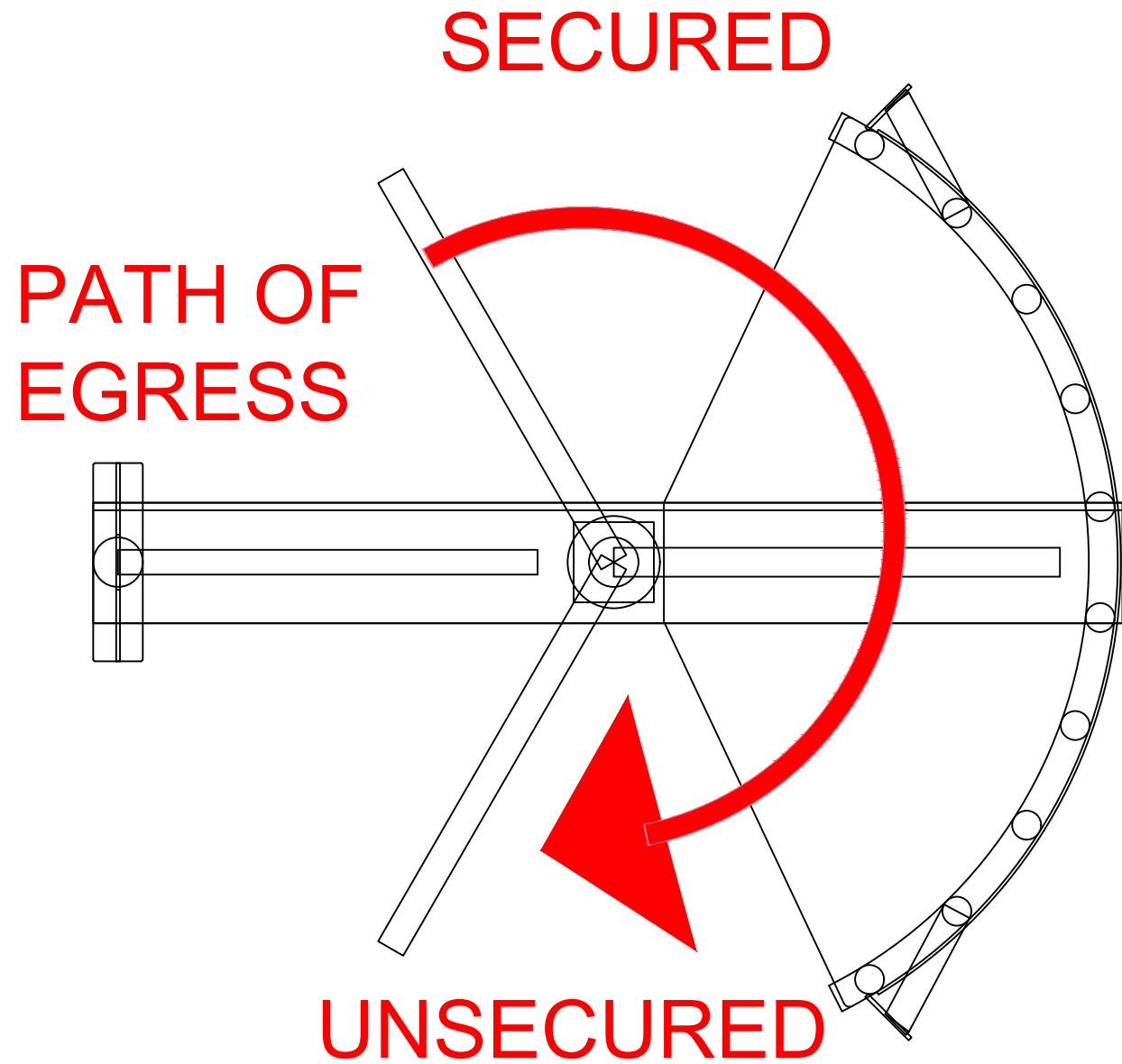
CONCRETE PAD
MUST EXTEND 4-6"
BEYOND TURNSTILE
ENVELOPE. AS SHOWN



CONTACT
SHOULD YOU HAVE ANY QUESTIONS
PLEASE CALL AVANT GARDE TECHNICAL SUPPORT
(888-552-9046) AG.INC

CONFIDENTIAL: THIS DRAWING IS NOT TO BE USED OR COPIED WITHOUT WRITTEN APPROVAL FROM AVANT GARDE	REV	DESCRIPTION	DATE	APPROVED
	A		X/X/2024	
	B		X/X/2024	
	C		X/X/2024	
ANSI TOLERANCE: FRACTIONAL ± 1/16 ANGLE ±0.5 DEG DECIMALS: .XX ±.030 XXX ±.015 XXXX ±.0005 CHAMFER ±1	DRAWN	2/6/24		
	ACRUISE			
	CHECKED			
	JKELLY			
ISO TOLERANCE: DECIMALS: ANGLE ±0.5 RAD X.X ± 0.5MM X.XX ± .25MM X.XXX ±0.01MM X.XXXX ±.05MM CHAMFER ±0.5 RAD	QA		TITLE	
	MFG		ALAVARADO MST VIEWS	
	APPROVED		SIZE	DWG NO
			B	
			SCALE	REV
				A
				SHEET 1 OF 1

AVANT GARDE - EGRESS PATH



**PM TO CONFIRM FIRE EGRESS
DIRECTION WITH CUSTOMER
PRIOR TO INSTALL *****

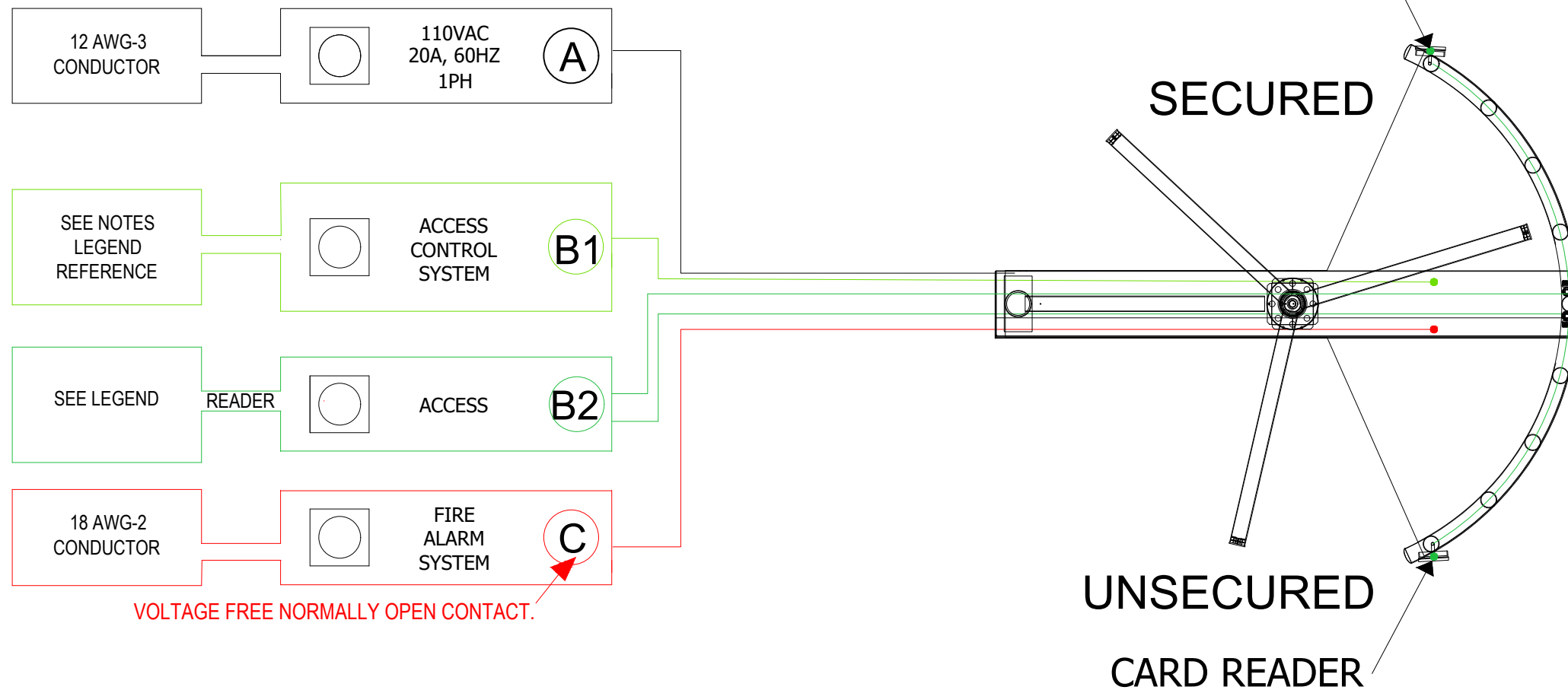


CONTACT
SHOULD YOU HAVE ANY QUESTIONS
PLEASE CALL AVANT GARDE TECHNICAL SUPPORT
(888-552-9046) AG.INC

CONFIDENTIAL: THIS DRAWING IS NOT TO BE USED OR COPIED WITHOUT WRITTEN APPROVAL FROM AVANT GARDE	REV	DESCRIPTION	DATE	APPROVED
	A		X/X/2024	
	B		X/X/2024	
	C		X/X/2024	
ANSI TOLERANCE: FRACTIONAL ± 1/16 ANGLE ±0.5 DEG DECIMALS: .XX ±.030 XXX ±.015 XXXX ±.0005 CHAMFER ±1	DRAWN	2/6/24	avant•garde	
	ACRUISE			
ISO TOLERANCE DECIMALS: ANGLE ±0.5 RAD X.X ± 0.5MM X.XX ± .25MM X.XXX ±0.01MM X.XXXX ±.05MM CHAMFER ±0.5 RAD	CHECKED		TITLE	
	JKELLY		ALAVARADO MST EGRESS PATH	
	QA		SIZE	DWG NO
	MFG		B	
	APPROVED		SCALE	REV
				A
				SHEET 1 OF 1

AVANT GARDE - MST WIRE SCHEMATIC

TOP VIEW RIGHT HAND



LEGEND	
DESCRIPTION	WIRE GAUGE / DETAIL
A= MAIN POWER 110VAC 20AMP 60HZ 1PH NOTE: 110V 300W PER LANE IN OPERATION (MAIN AND SECONDARY PEDESTAL). NO MORE THAN 2 LANES ON AN ISOLATED 20A CIRCUIT.	12 AWG-3 CONDUCTOR (NOT SUPPLIED BY AVANT GARDE)
B= ACCESS CONTROL SYSTEM B1= TRIGGER = N/O CONTACT VOLTAGE FREE CLOSE 1.0 SECONDS B2= CARD READER = CONDUCTOR TYPE/QTY SPECIFIED BY INTEGRATOR	18 AWG-4 CONDUCTOR (NOT SUPPLIED BY AVANT GARDE) ADDITIONAL NOTE: TYPICALLY REQUIRED FOR CARDREADERS 18 AWG-6 CONDUCTOR (NOT SUPPLIED BY AVANT GARDE)
C= FIRE ALARM SYSTEM, VOLTAGE FREE NORMALLY OPEN CONTACT. (N/O DRY)	18 AWG-2 CONDUCTOR (NOT SUPPLIED BY AVANT GARDE)

THIS DRAWING IS INTENDED FOR ILLUSTRATION PURPOSES ONLY AND MUST NOT BE USED FOR MANUFACTURING PURPOSES. THIS DOCUMENT IS THE COPYRIGHT OF AVANT GARDE INC. AND MAY NOT BE REPRODUCED IN PART OR IN WHOLE FOR ANY PURPOSE OTHER THAN THAT FOR WHICH IT IS SUPPLIED, WITHOUT THE WRITTEN PERMISSION OF AVANT GARDE INC.

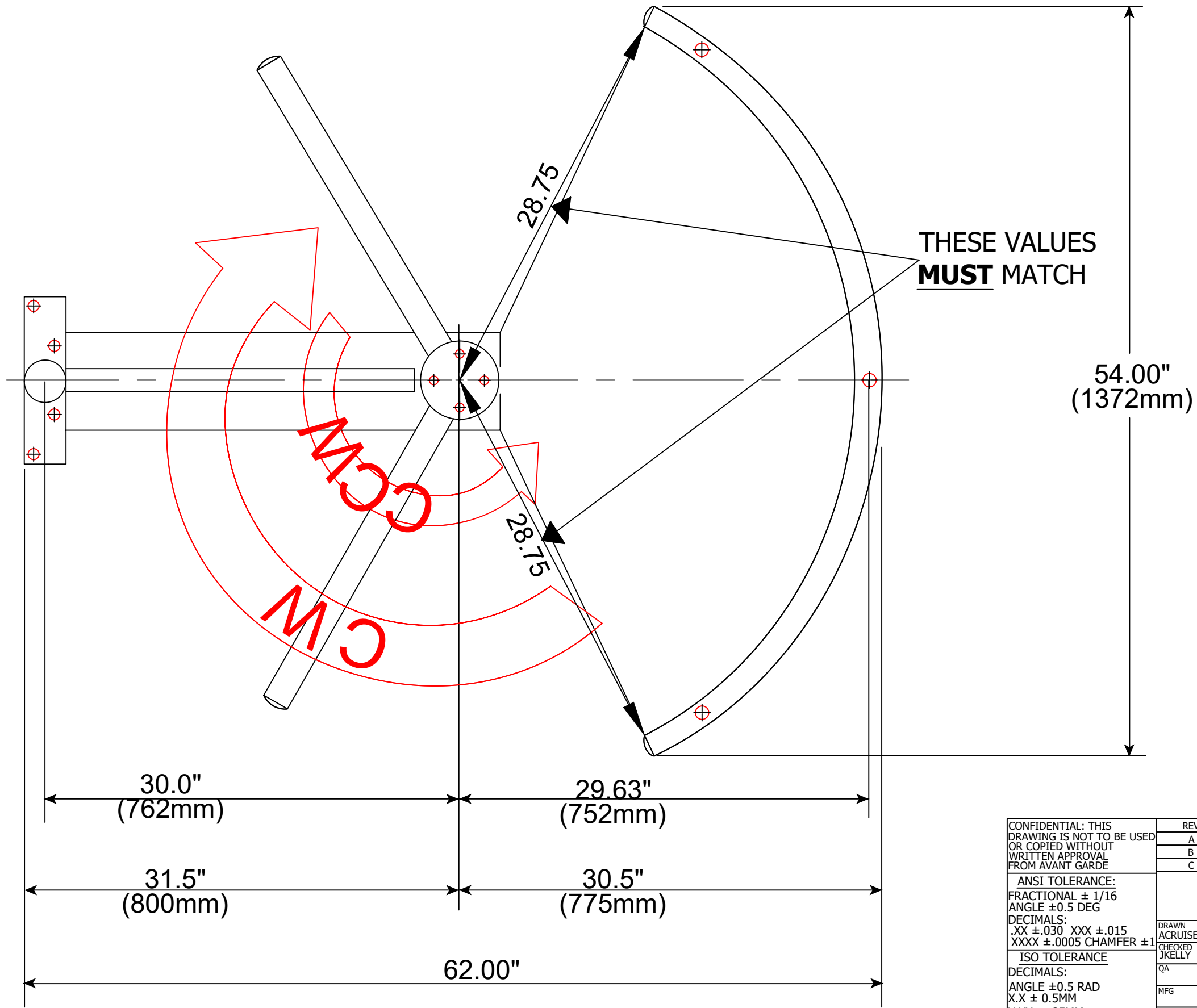
FIELD NOTES:

- 120VAC POWER, DATA AND LOW VOLTAGE CONTROL CABLES MUST BE RUN IN SEPARATE CONDUITS. NO "DAISY CHAINING" PERMITTED.
- IT IS RECOMMENDED THAT THE MAIN POWER TO THE UNITS PASSES THROUGH A RESIDUAL CURRENT CIRCUIT DEVICE FOR MAXIMUM SAFETY.
- ALL WIRES CONNECTED BETWEEN THE TURNSTILE I/O BOARDS AND EXTERNAL CONTROL SYSTEMS ARE TO BE VOLTAGE FREE, UNDER NO CIRCUMSTANCES SHOULD EXTERNAL POWER BE APPLIED TO ANY TURNSTILE INPUTS OR OUTPUTS.

avant•garde

CONTACT
SHOULD YOU HAVE ANY QUESTIONS
PLEASE CALL AVANT GARDE TECHNICAL SUPPORT
(888-552-9046) AG.INC

CONFIDENTIAL: THIS DRAWING IS NOT TO BE USED OR COPIED WITHOUT WRITTEN APPROVAL FROM AVANT GARDE	REV	DESCRIPTION	DATE	APPROVED
	A		X/X/2024	
	B		X/X/2024	
	C		X/X/2024	
ANSI TOLERANCE: FRACTIONAL ± 1/16 ANGLE ±0.5 DEG DECIMALS: .XX ±.030 XXX ±.015 XXXX ±.0005 CHAMFER ±1	DRAWN	2/6/24		
	ACRUISE			
	CHECKED			
	JKELLY			
ISO TOLERANCE DECIMALS: ANGLE ±0.5 RAD X.X ± 0.5MM X.XX ± .25MM X.XXX ±0.01MM X.XXXX ±.05MM CHAMFER ±0.5 RAD	QA		TITLE MST WIRE SCHEMATIC	
	MFG		SIZE B	DWG NO
	APPROVED		SCALE	REV A
				SHEET 1 OF 1



THESE VALUES
MUST MATCH

54.00"
(1372mm)



CONTACT
SHOULD YOU HAVE ANY QUESTIONS
PLEASE CALL AVANT GARDE TECHNICAL SUPPORT
(888-552-9046) AG.INC

30.0"
(762mm)

29.63"
(752mm)

31.5"
(800mm)

30.5"
(775mm)

62.00"

CONFIDENTIAL: THIS
DRAWING IS NOT TO BE USED
OR COPIED WITHOUT
WRITTEN APPROVAL
FROM AVANT GARDE

ANSI TOLERANCE:
FRACTIONAL ± 1/16
ANGLE ±0.5 DEG
DECIMALS:
.XX ±.030 XXX ±.015
XXXX ±.0005 CHAMFER ±1

ISO TOLERANCE
DECIMALS:
ANGLE ±0.5 RAD
X.X ± 0.5MM
X.XX ± .25MM
X.XXX ±0.01MM
X.XXXX ±.05MM
CHAMFER ±0.5 RAD

REV	DESCRIPTION	DATE	APPROVED
A		X/X/2024	
B		X/X/2024	
C		X/X/2024	

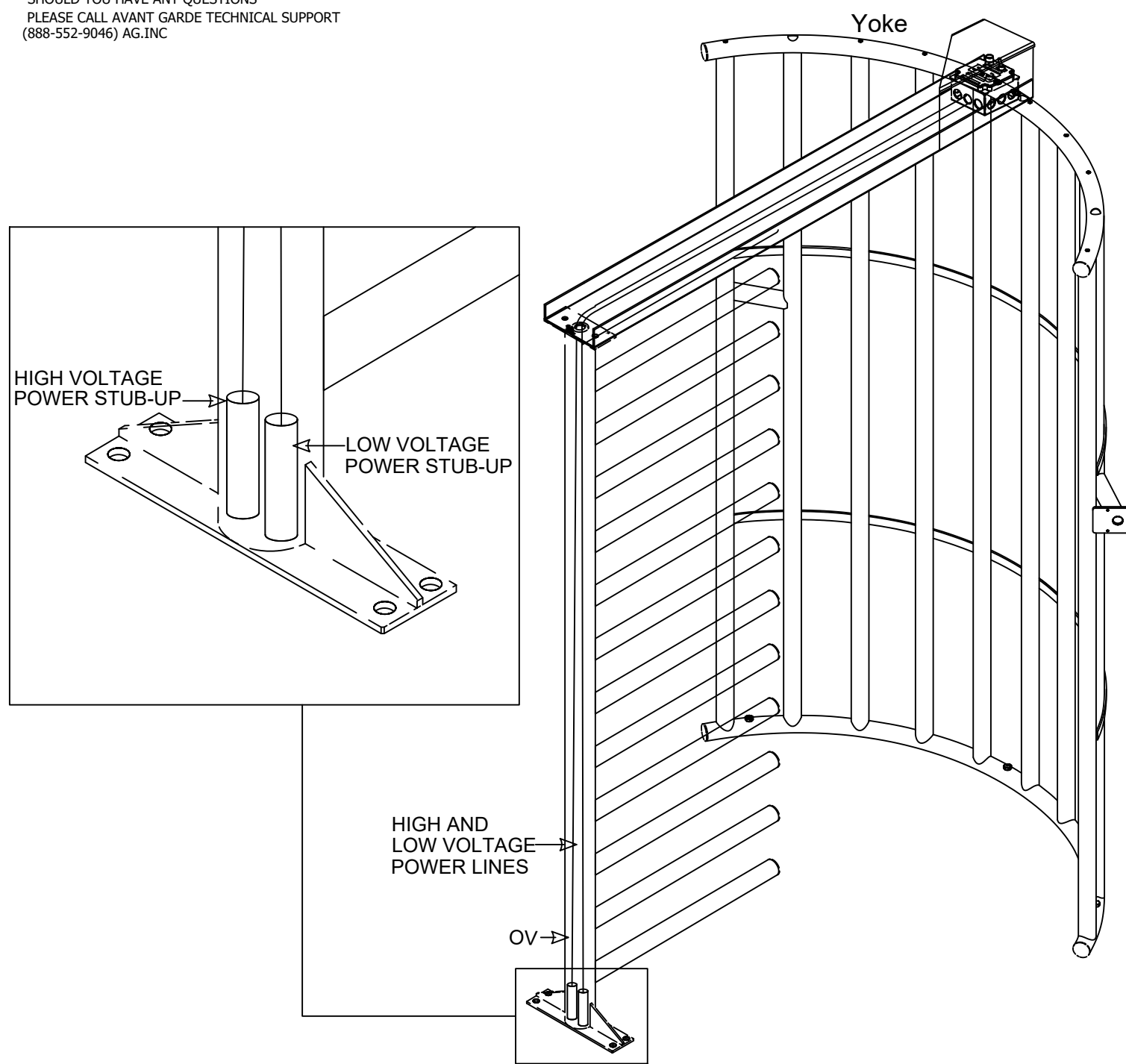
DRAWN ACRUISE	2/6/24
CHECKED JKELLY	
QA	
MFG	
APPROVED	

avant-garde	
TITLE ALAVARADO MST ANCHOR LOCATIONS	
SIZE B	DWG NO
SCALE	SHEET 1 OF 1

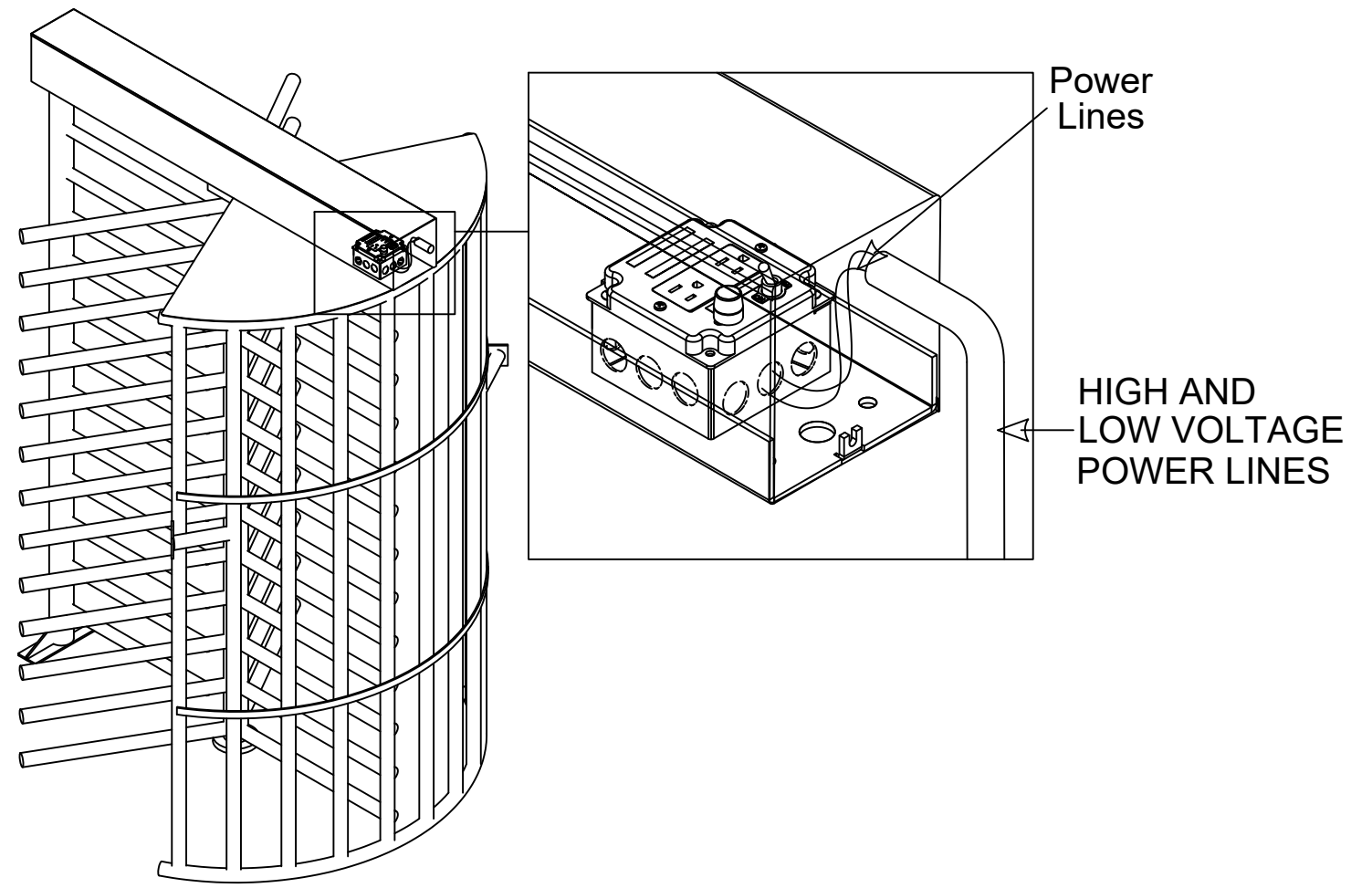


CONTACT
 SHOULD YOU HAVE ANY QUESTIONS
 PLEASE CALL AVANT GARDE TECHNICAL SUPPORT
 (888-552-9046) AG.INC

CONDUIT ENTRY OPTIONS



OPTION A



OPTION B

CONFIDENTIAL: THIS DRAWING IS NOT TO BE USED OR COPIED WITHOUT WRITTEN APPROVAL FROM AVANT GARDE	REV	DESCRIPTION	DATE	APPROVED
	A		X/X/2024	
	B		X/X/2024	
	C		X/X/2024	
ANSI TOLERANCE: FRACTIONAL ± 1/16 ANGLE ±0.5 DEG DECIMALS: .XX ±.030 XXX ±.015 XXXX ±.0005 CHAMFER ±1	DRAWN	2/6/24		
	ACRUISE			
	CHECKED			
	JKELLY			
ISO TOLERANCE DECIMALS: ANGLE ±0.5 RAD X.X ± 0.5MM X.XX ± .25MM X.XXX ±0.01MM X.XXXX ±.05MM CHAMFER ±0.5 RAD	QA		ALAVARADO MST CONDUIT ENTRY	
MFG				
APPROVED				
	SIZE	DWG NO	REV	
	B		A	
	SCALE		SHEET 1 OF 1	

12-3 AWG
FROM TURNSTILE TO
BREAKER PANEL

AC VOLTAGE

THIS CONFIG: ALL INCOMING WIRES WILL BE PULLED THRU
HEADER, READ IN AND OUT TO BE CONFIRMED BY PM

18-4 STRANDED
TRIGGER/LOCK
FROM TURNSTILE TO
LOCAL IDF CLOSET

TRIGGER

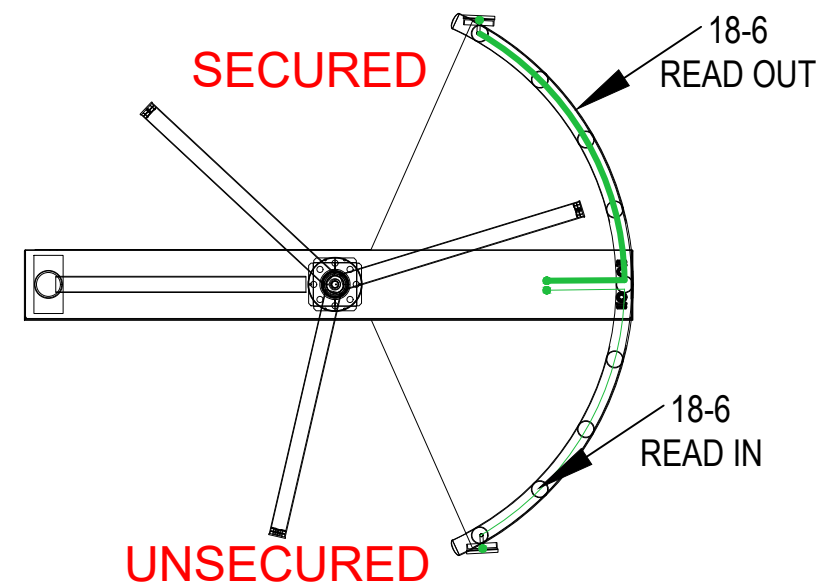
18 AWG-2
FIRE WIRE FROM
TURNSTILE TO LOCAL
FIRE RELAY

FIRE

18-6
STRANDED/SHIELDED
CONDUCTOR

READER

PM TO CONFIRM NEED FOR SECOND
CARD READER FOR READ OUT
BRING WIRE ALONG SECOND PATH AS SHOWN



avant•garde

CONTACT
SHOULD YOU HAVE ANY QUESTIONS
PLEASE CALL AVANT GARDE TECHNICAL SUPPORT
(888-552-9046) AG.INC

CONFIDENTIAL: THIS DRAWING IS NOT TO BE USED OR COPIED WITHOUT WRITTEN APPROVAL FROM AVANT GARDE	REV	DESCRIPTION	DATE	APPROVED
	A		X/X/2024	
	B		X/X/2024	
	C		X/X/2024	
ANSI TOLERANCE: FRACTIONAL ± 1/16 ANGLE ±0.5 DEG DECIMALS: .XX ±.030 XXX ±.015 XXXX ±.0005 CHAMFER ±1	DRAWN	2/6/24		
	ACRUISE			
	CHECKED			
	JKELLY			
ISO TOLERANCE DECIMALS: ANGLE ±0.5 RAD X.X ± 0.5MM X.XX ± .25MM X.XXX ±0.01MM X.XXXX ±.05MM CHAMFER ±0.5 RAD	QA		TITLE ALAVARADO MST PULL SCHEDULE CONFIG	
	MFG		SIZE B	DWG NO
	APPROVED		SCALE	REV A
				SHEET 1 OF 1

THIS CONFIG: ALL INCOMING WIRES WILL BE PULLED THRU OV, READ IN AND OUT TO BE CONFIRMED BY PM

12-3 AWG
FROM TURNSTILE TO
BREAKER PANEL

AC VOLTAGE

18-4 STRANDED
TRIGGER/LOCK
FROM TURNSTILE TO
LOCAL IDF CLOSET

TRIGGER

18 AWG-2
FIRE WIRE FROM
TURNSTILE TO LOCAL
FIRE RELAY

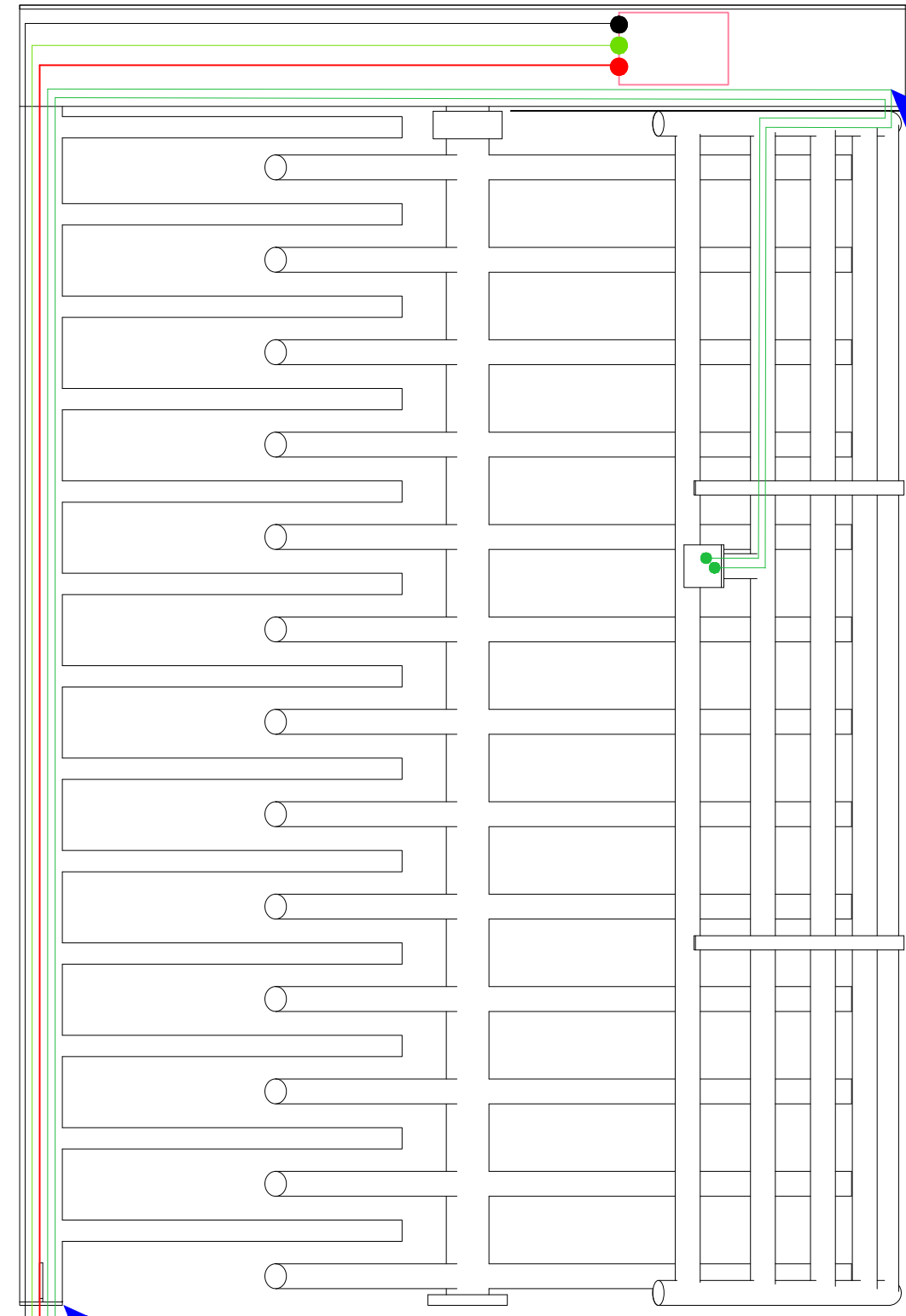
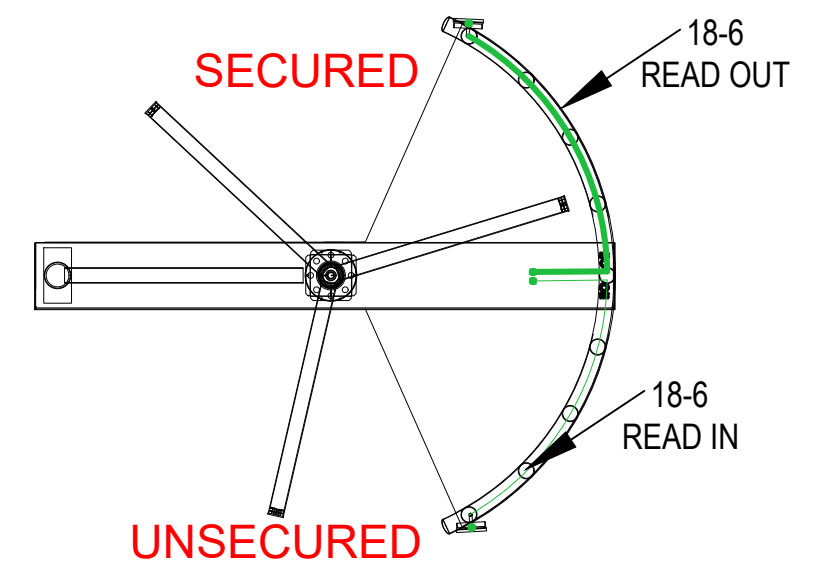
FIRE

18-6
STRANDED/SHIELDED
CONDUCTOR

READER

Ø1.4
OV HOLE
DIAMETER

PM TO CONFIRM NEED FOR SECOND
CARD READER FOR READ OUT
BRING WIRE ALONG SECOND PATH AS SHOWN



CONTACT
SHOULD YOU HAVE ANY QUESTIONS
PLEASE CALL AVANT GARDE TECHNICAL SUPPORT
(888-552-9046) AG.INC

CONFIDENTIAL: THIS DRAWING IS NOT TO BE USED OR COPIED WITHOUT WRITTEN APPROVAL FROM AVANT GARDE	REV	DESCRIPTION	DATE	APPROVED
	A		X/X/2024	
	B		X/X/2024	
	C		X/X/2024	
ANSI TOLERANCE: FRACTIONAL ± 1/16 ANGLE ±0.5 DEG DECIMALS: .XX ±.030 XXX ±.015 XXXX ±.0005 CHAMFER ±1	DRAWN	2/6/24	avant-garde	
	ACRUISE			
ISO TOLERANCE DECIMALS: ANGLE ±0.5 RAD X.X ± 0.5MM X.XX ± .25MM X.XXX ±0.01MM X.XXXX ±.05MM CHAMFER ±0.5 RAD	CHECKED		ALAVARADO MST PULL SCHEDULE CONFIG	
	JKELLY			
	QA		SIZE	DWG NO
	MFG		B	
	APPROVED		SCALE	REV A
				SHEET 1 OF 1